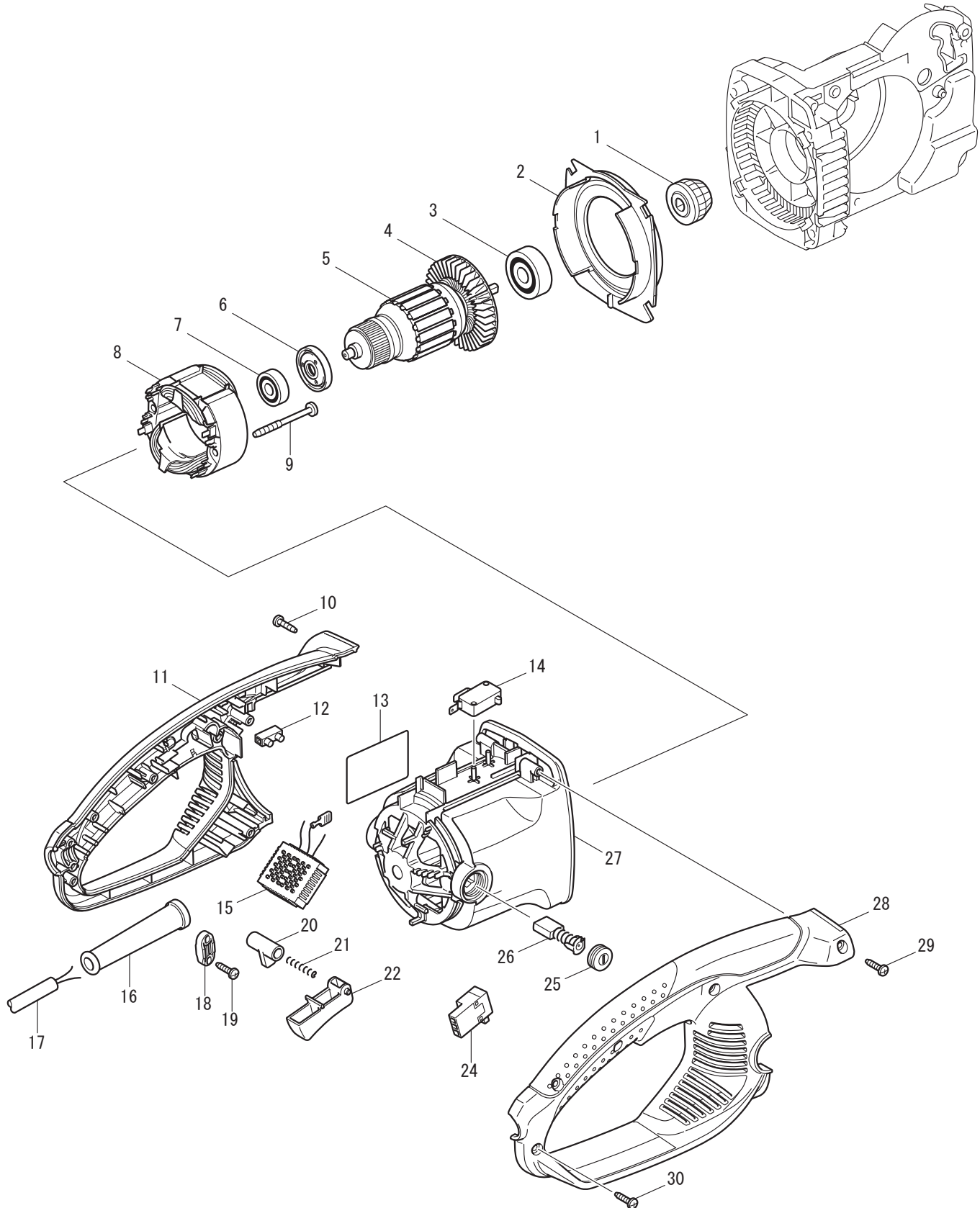
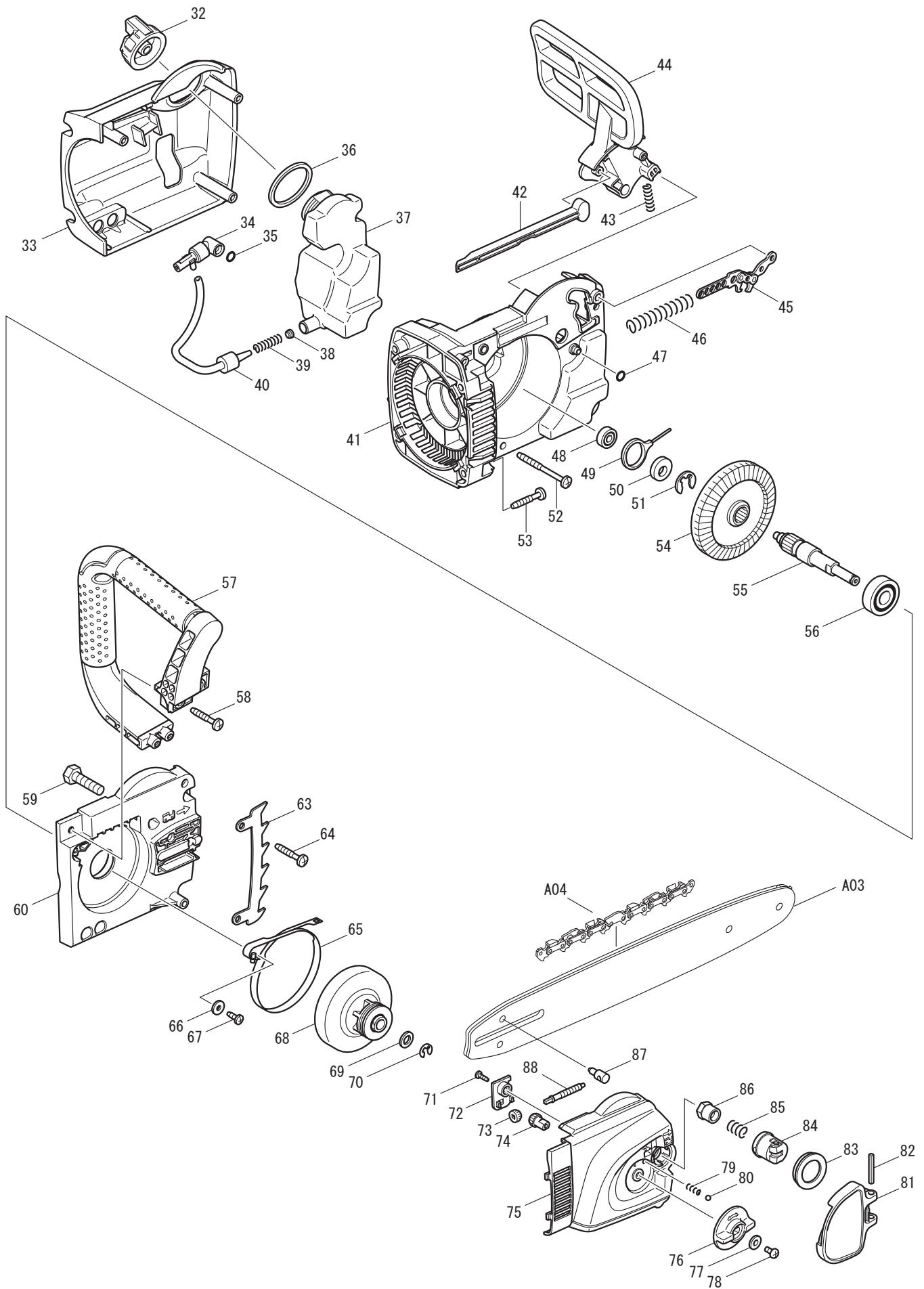




04 - 2010
UC3530A (MCC)
15.0A CHAIN SAW 14" 3/8"





Item No.	Type	Sub	Part No.	Description	Qty	Unit
1			226743-8	STRAIGHT BEVEL GEAR 14	1	PC.
2			419410-4	BAFFLE PLATE	1	PC.
3			211111-8	BALL BEARING 6301LLB	1	PC.
4			240001-8	FAN 80	1	PC.
5			616966-0	ARMATURE 115V	1	PC.
6			681666-1	RESIN WASHER	1	PC.
7			210081-8	BALL BEARING 629ZZ	1	PC.
8			639532-6	FIELD 115V	1	PC.
9			266095-5	TAPPING SCREW 5X55	2	PC.
10			265995-6	TAPPING SCREW 4X18	1	PC.
11			188820-3	HANDLE SET	1	SET
		INC.	810199-1	CAUTION LABEL	1	PC.
13			867109-9	UC3530A NAME PLATE	1	PC.
14			650577-1	SWITCH SD-006-BB2AA-AA	1	PC.
15			631720-1	CONTROLLER	1	PC.
16			682574-9	CORD GUARD 10-90	1	PC.
17			664980-0	CORD W/PLUG 2P-14-0.3M	1	PC.
18			687124-5	STRAIN RELIEF	1	PC.
19			265995-6	TAPPING SCREW 4X18	2	PC.
20			416178-3	LOCK-OFF BUTTON	1	PC.
21			233173-6	COMPRESSION SPRING 4	1	PC.
22			419411-2	SWITCH LEVER	1	PC.
24			651923-1	SWITCH TG70B SINGLE W/O LOCK	1	PC.
25			643650-4	BRUSH HOLDER CAP 6.5-13.5	2	PC.
26			194986-9	CARBON BRUSH CB-153	1	SET
27			154867-9	MOTOR HOUSING COMPLETE	1	PC.
		INC.	643653-8	BRUSH HOLDER 6.5-13.5	2	PC.
28			188820-3	HANDLE SET	1	SET
		INC.	810199-1	CAUTION LABEL	1	PC.
29			265995-6	TAPPING SCREW 4X18	1	PC.
30			265995-6	TAPPING SCREW 4X18	5	PC.
32			154870-0	TANK CAP COMPLETE	1	PC.
33			158050-0	GEAR HOUSING COVER COMPLETE	1	PC.
		INC.	810891-9	CAUTION LABEL	1	PC.
34	1		140089-7	OIL PUMP COMPLETE	1	PC.
	2		142002-1	OIL PUMP COMPLETE	1	PC.
35			213039-6	O RING 6	1	PC.
36			421959-2	SPONGE SEAL	1	PC.
37			419407-3	OIL TANK	1	PC.
38			416274-7	CAP	1	PC.
39			231975-4	SPRING	1	PC.
40			421958-4	OIL TUBE	1	PC.
41			419408-1	GEAR HOUSING	1	PC.
42			419413-8	ROD	1	PC.
43			233174-4	COMPRESSION SPRING 6	1	PC.
44			451130-4	FRONT HAND GUARD	1	PC.
45			158044-5	LINK PLATE COMPLETE	1	PC.
46			234005-0	COMPRESSION SPRING 9	1	PC.
47			213039-6	O RING 6	1	PC.
48			211012-0	BALL BEARING 606ZZ	1	PC.
49			450230-7	CRANK	1	PC.
50			417405-1	CAM	1	PC.
51			259034-2	RETAINING RING E TYPE 10	1	PC.
52			266095-5	TAPPING SCREW 5X55	2	PC.
53			266173-1	TAPPING SCREW 5X30	4	PC.
54			226741-2	STRAIGHT BEVEL GEAR 43	1	PC.
55			324662-3	SPINDLE	1	PC.

Item No.	Type	Sub	Part No.	Description	Qty	Unit
56			211107-9	BALL BEARING 6201ZZ	1	PC.
57			419409-9	FRONT HANDLE	1	PC.
58			266173-1	TAPPING SCREW 5X30	2	PC.
59			921452-1	HEX. BOLT M8X30	1	PC.
60			318013-0	BEARING HOUSING	1	PC.
63			345651-5	SPIKE BUMPER	1	PC.
64			266173-1	TAPPING SCREW 5X30	2	PC.
65			168426-3	BRAKE BAND	1	PC.
66			267195-4	FLAT WASHER 4	1	PC.
67			266026-4	TAPPING SCREW BIND CT 4X12	1	PC.
68			125331-7	BRAKE DRUM ASSEMBLY	1	PC.
69			253215-0	FLAT WASHER 8	1	PC.
70			259033-4	RETAINING RING E TYPE 6	1	PC.
71			266007-8	TAPPING SCREW BIND PT 3X10	1	PC.
72			419241-1	COVER	1	PC.
73			227496-2	STRAIGHT BEVEL GEAR 14	1	PC.
74			227495-4	STRAIGHT BEVEL GEAR 14	1	PC.
75			154869-5	SPROCKET COVER COMPLETE	1	PC.
76			419233-0	DIAL 40	1	PC.
77			253874-0	FLAT WASHER 4	1	PC.
78			915106-0	BINDING HEAD SCREW M4X8	1	PC.
79			233033-2	COMPRESSION SPRING 4	1	PC.
80			216008-6	STEEL BALL 4	1	PC.
81			154763-1	LEVER COMPLETE	1	PC.
82			951122-8	SPRING PIN 4-28	1	PC.
83			419271-2	CUP WASHER 20	1	PC.
84			317977-5	LEVER HOLDER	1	PC.
85			231025-5	COMPRESSION SPRING 8	1	PC.
86			252168-0	HEX. NUT M8-13	1	PC.
87			324621-7	ADJUST PIN	1	PC.
88			324620-9	ADJUST SCREW	1	PC.
89			188858-8	* SPROCKET COVER SET	1	PC.
		INC.		Item No. 71-88		
90			188859-6	* LEVER COMPLETE SET	1	PC.
		INC.		Item No. 81-84		
91	1		188929-1	* OIL PUMP ASSY (Added)	1	PC.
	1	INC.		Item No. 34, 35, 49		
	2		187573-1	OIL PUMP ASSY	1	PC.
	2	INC.		Item No. 34, 35, 49		
100			810276-9	CAUTION LABEL	1	PC.
<u>ACCESSORIES</u>						
A01			419288-5	CHAIN COVER F/14"	1	PC.
A02			158024-1	HOOK COMPLETE	1	PC.
A03			165201-8	GUIDE BAR 14"	1	PC.
A04	1		528 092 652	SAW CHAIN 14"	1	PC.